

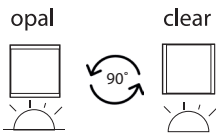
## SL-FL5658BS-10000

FLIPLens Black Series Optical Silicone Cover



### PRODUCT FEATURES

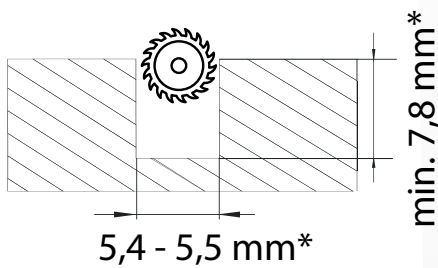
- » Optical silicone cover with clear and opal light refraction
- » Clear optics to be processed with 5.6 mm (+/- 0,2 mm)
- » Opal optics to be processed with 5.6 mm (+/- 0,2 mm)
- » Different beam angles due to different cutting depths
- » FLIPLens enables a sealing function of the cutting edge
- » To be used in combination with soldered 5 mm wide LED COB strips
- » Desired length can be cut by scissors or knife.
- » Packaging unit: 1 piece



### DIMENSIONS

- » Length: ..... 10.000 mm
- » Width „Clear“: ..... 5,6 mm (+/-0,2 mm)
- » Width „Opal“: ..... 5,6 mm (+/-0,2 mm)

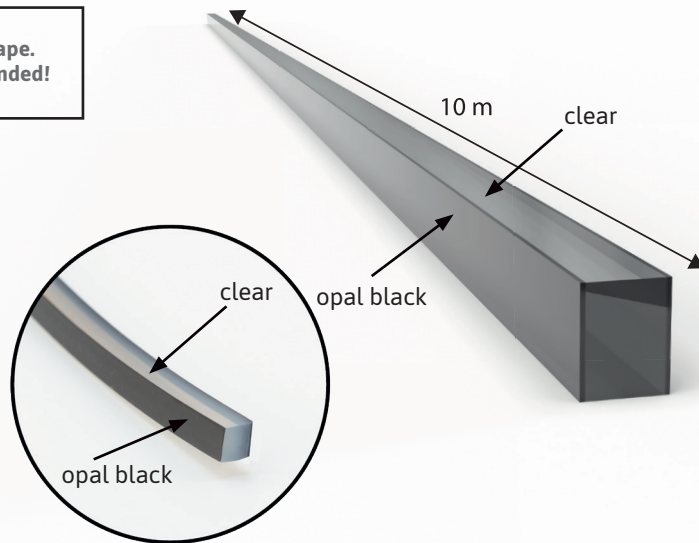
**Processing of FLIPLens with 5mm wide SIRO COB tape.  
Before the final processing a TRIAL CUT is recommended!**



**Fräsbreite / milling width: 5,4 - 5,5 mm\***

**Frästiefe / milling depth: min. 7,8 mm\***

**\*A trial cut is recommended!**



### LIGHT TRANSMISSION

- » Silicone Side „Clear“: ..... 60%
- » Silicone Side „Opal“: ..... 25%