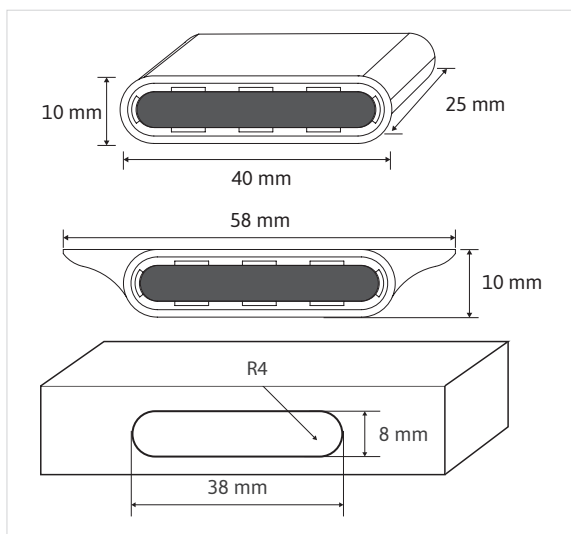


## SL-NBS2DOOR58-K1

Double Door Sensor for SIRO Power Supply



### TECHNICAL DRAWING



### PRODUCT FEATURES

- » Wired double door sensor for connection to SIRO 24V DC power supply units:
  - SL-NTS24CV36W-CA
  - SL-NTS24CV60W-CA
  - SL-NTS24CV100W-CA
- » Sensor can be screwed on or milled in
- » Switches light ON - OFF
- » Response range: 0 - 60 mm
- » 2000 mm connection cable included

### TECHNICAL DATA

- » Input voltage:..... 12 - 24V DC
- » Output voltage:..... 24V DC

#### Housing dimensions:

- » Length: ..... 58 mm
- » Width: ..... 24 mm
- » Height: ..... 10 mm

#### Installation dimensions:

- » Milling width:..... 38 mm
- » Milling height: ..... 8 mm
- » Milling depth:..... 24 mm

