

## SL-NBSDOOR12-K1

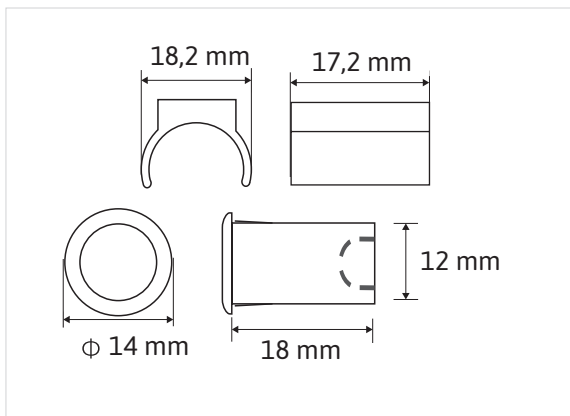
Door Sensor for SIRO Power Supply



### PRODUCT FEATURES

- » Wired door sensor for connection to SIRO 24V DC power supply units:
  - SL-NTS24CV36W-CA
  - SL-NTS24CV60W-CA
  - SL-NTS24CV100W-CA
- » Sensor can be screwed on or milled in
- » Switches light ON - OFF
- » Response range: 0 - 60 mm
- » 2000 mm connection cable included

### TECHNICAL DRAWING



### TECHNICAL DATA

- » Input voltage:..... 12 - 24V DC
- » Output voltage: ..... 24V DC

#### Sensor + Housing dimensions:

- » Length: ..... 18,2 mm
- » Width: ..... 18,2 mm
- » Height: ..... 14 mm

#### Installation dimensions:

- » Milling diameter: ..... 12 mm
- » Milling depth:..... 18 mm

